



Your address :

Country :


Name :

Date :

Your number :

From :

List of Tools

Position	 Designation	Art. N° E-XHEAD	Ød Bore in mm	ØD Bore Die in mm ØD Outside tubing	Quantity	Price	Total price
1							
2							
3							
4							
5							
6							
7							
8							
9							
10							
11							
12							
13							
14							
15							
16							
17							
18							
19							
20							
21							
22							
23							
24							
25							
26							
27							

Total **EUR**

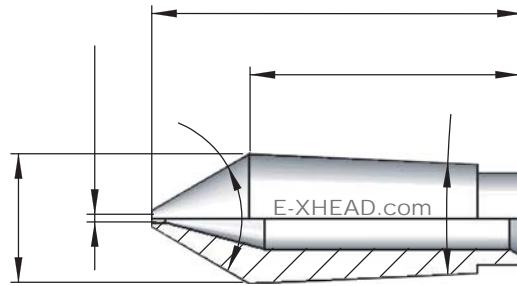
Packing + Transport

EUR

E-XHEAD.com

Pressure

Your Wire Guide Ø ...

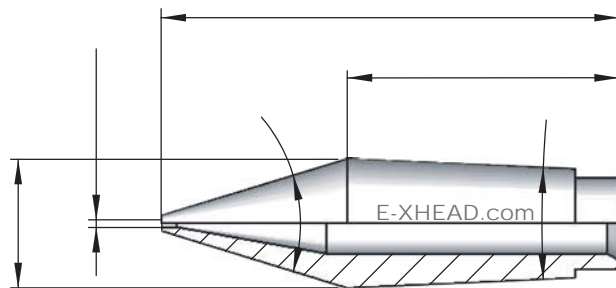


Material

E-XHEAD.com

Semi-Pressure

Your Wire Guide Ø ...



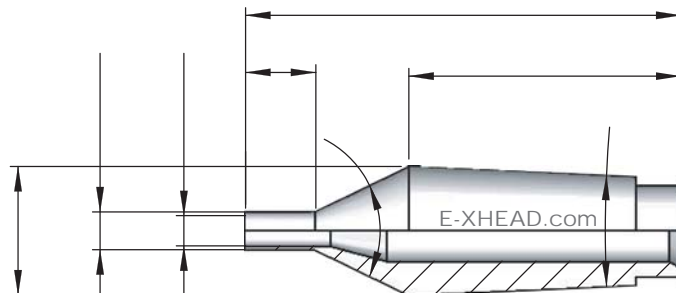
Material

EX

E-XHEAD.com

Tube

Your Wire Guide Ø ...



Material

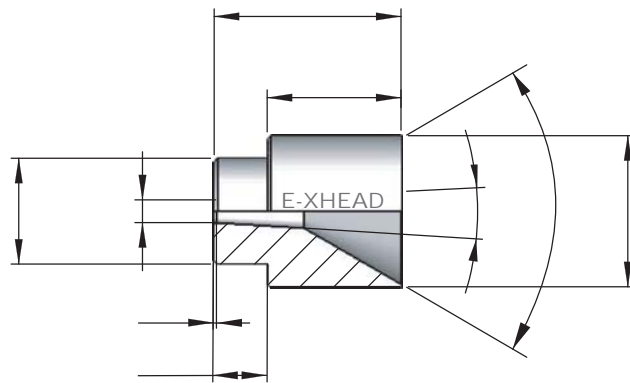
E-XHEAD.com

Please do not hesitate to contact us for any further information on our products range.
E-XHEAD® Highly qualified engineers will reply to submit best possible solutions.

E-XHEAD.com

Pressure

Your Die Ø ...

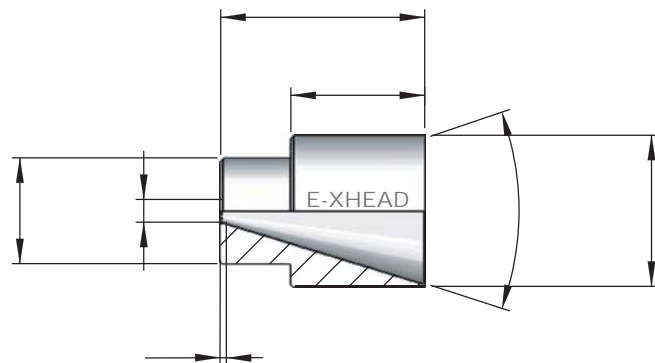


Material

E-XHEAD.com

Semi-Pressure

Your Die Ø ...



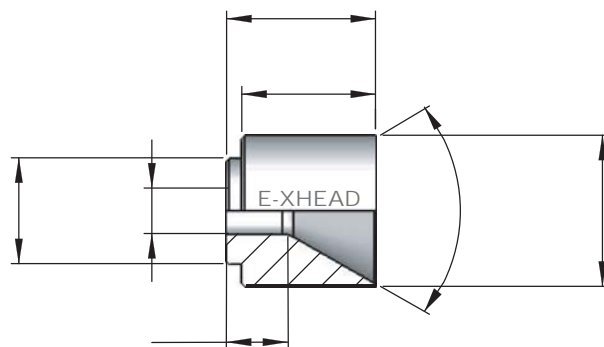
Material

EX

E-XHEAD.com

Tube

Your Die Ø ...



Material

E-XHEAD.com

Please do not hesitate to contact us for any further information on our products range.
E-XHEAD® Highly qualified engineers will reply to submit best possible solutions.